

DRY



photo: silver, straight cable



Functions and features:

Functionality

Thanks to an electronic sensor the 'DRY' heating element maintains a constant temperature of 48°C. It also has the ability to be programmed further to different temperature levels. The heating element has a very low power consumption in a standby mode.

Timer

An enhanced timer automatically turns the heater off after 1, 2, 3, 4 or 5 hours.

Intelligent Building Systems

In the event of a power failure the DRY remembers its previous settings therefore making it suitable for connection to external timers and intelligent building systems.

Safety

The heating element is equipped with frost protection (ANTIFREEZE). It has double protection against overheating of the radiator. DRY displays warning indicators in case of malfunction. It has an active safety feature in case of operation in a dry radiator.

Design

The 'DRY' heating element is supplied with a straight cable and without a plug. It is available with a cable masking cover as an optional extra.

Colour

Available colours: white, silver, chrome and black. 'DRY' can also be offered in any RAL colour and Terma special colours (including brass and gold) subject to a minimum order of 100 pcs per colour.

Specifications:

- Power supply: 230 V / 50 Hz
- Device protection class: Class I
- Radiator connection: G 1/2"
- Ingress protection [IP]: IPx5

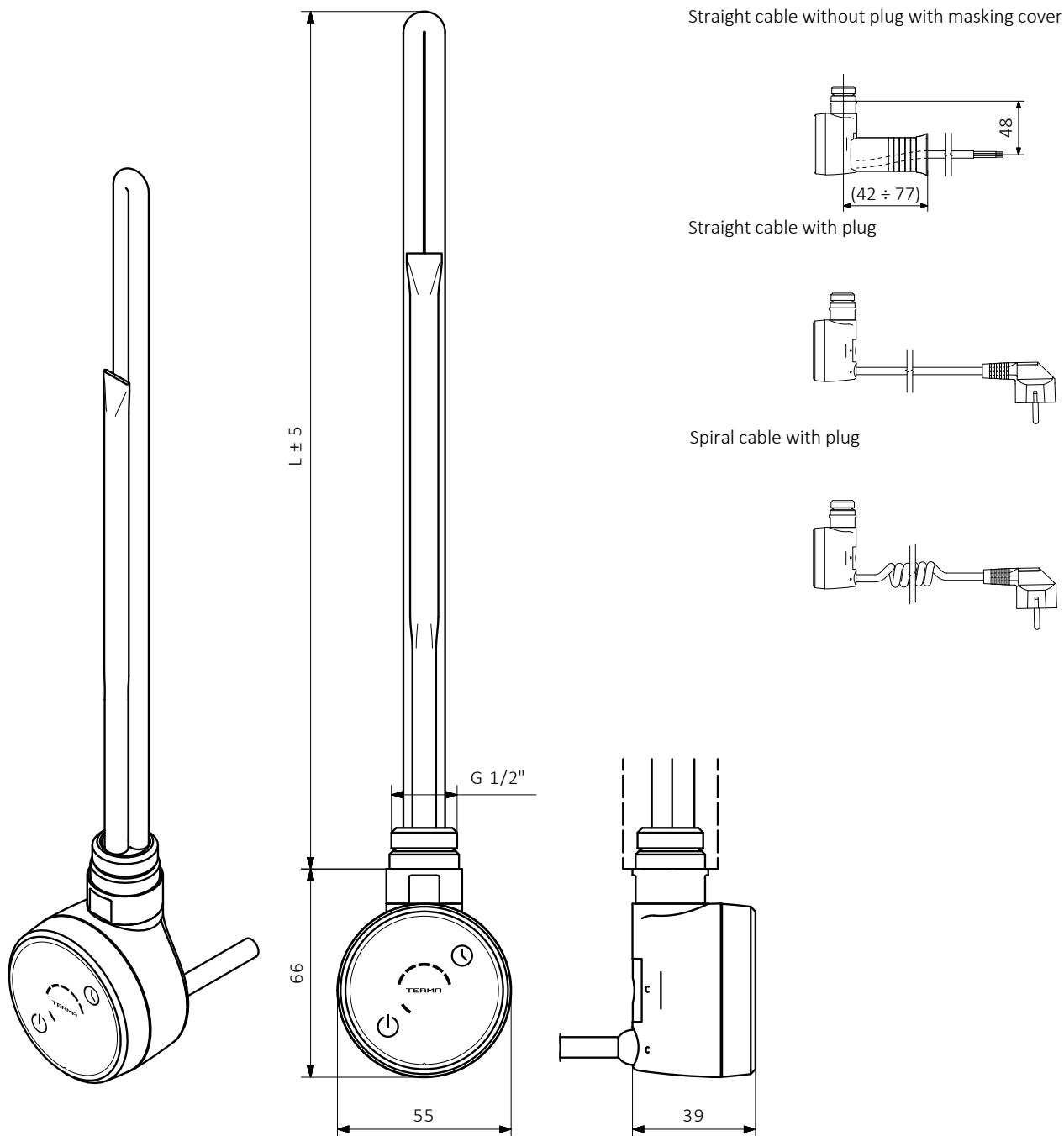
Table configurations:

Example of product code: **WE**DRY**04** **T**SMA**W**

Element power code
Colour or finish code
Cable type and plug code
Model code
Packaging code

Code elements highlighted in blue

Model	Power [W]	Packaging	Colour	Cable Type
WE DRY DRY	01 120	F Foil sleeve	916 White	W Straight cable with plug
DYT DRY + T piece	02 200	T Tube	SMA Silver	M Straight cable without plug with masking cover
	03 300		CRO Chrome	U Spiral cable with plug
	04 400		905 Black	
	06 600			
	08 800			
	10 1000			
	12 1200			



L [mm]	315	275	300	335	365	475	565	660
Power [W]	120	200	300	400	600	800	1000	1200