

SKT 4



photo: version with a straight cable



Functionality:

Functionality

The heating element offers nine-step room temperature control. The device displays the currently set temperature level (1 to 9) corresponding with ambient temperature ranging from 20 °C to 28 °C. The SKT 4 also indicates the status of the heating cycle or standby state. The SKT 4 is equipped with an actual heating time counter for energy consumption calculations. The device operates with a self-regulating PTC heating element. The heating element features the Terma-Split System allowing the disconnection of the heating part (Terma Split) from the controller head.

Timer

The enhanced Timer automatically turns off the heater after 1, 2, 3 or 4 hours.

Remote Control

The heater is capable of wireless IR communication with an external wall controller, which enhances the use of the heating element with additional features

Fil Pilote

The SKT 4 controller head is equipped with a Fil Pilote interface (6-command).

Intelligent Home Systems

In the event of a power failure the heating device remembers the most recent settings used, which makes it suitable for connection to external timers or intelligent home systems.

Safety

The heating element offers frost protection (ANTIFREEZE). The heating element displays warning indicators in the case of malfunction. The self-regulating PTC heating element provides protection in case of accidental dry running.

Design

Blue, easy-to-read single digit LED display.

Colour

Available colours: white, silver, chrome and black. The heating element is also offered in any RAL colour and Terma special colours (including brass and gold), subject to a minimum order of 100 pcs per colour.

Specifications:

Power supply: 230 V / 50 Hz

Heating element: Terma Split 2

Device protection class: Class II

Radiator connection: G 1/2"

Ingress protection [IP]: IPx5

Configurations table:

Example of product code: **WE**^{Model code} **SK4**^{Packaging code} **K**^{Colour or finish code} **SMA**^{Cable type and plug code} **F**

Code elements highlighted in colour

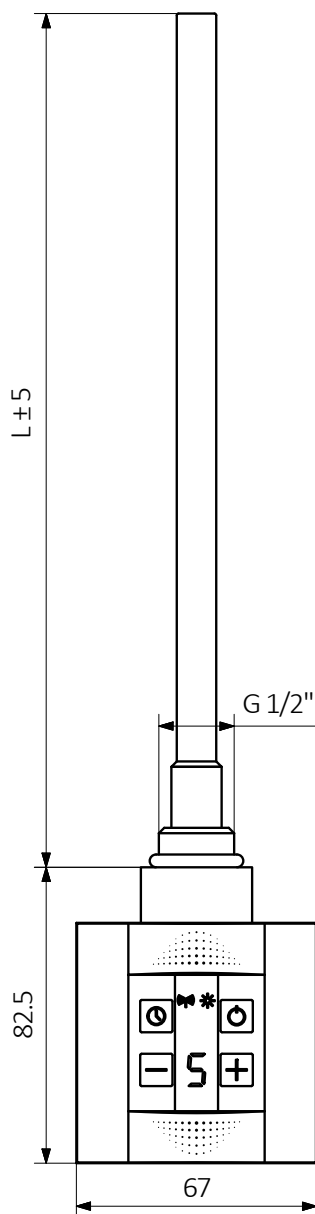
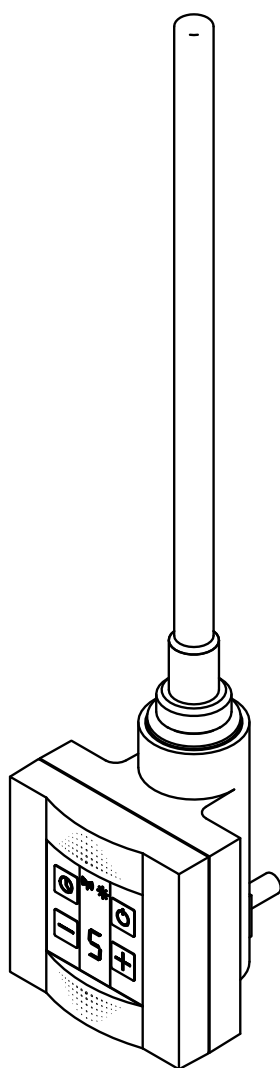
SKT 4

Model	Power [W]	Packaging	Colour	Cable Type
WE SK4 SKT 4	– controller only	K Box	916 White SMA Silver CRO Chrome 905 Black	W Straight cable with plug F Straight cable without plug; Fil Pilote connection

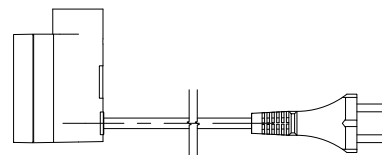
TS2 — Heating element (class II)

Model	Power [W]	Packaging	Colour	Split connector
WE TS2 Terma Split	01 100 02 200 03 300 04 400 05 500 06 600 08 800 10 1000	K Box	--- n/a	E Class II split connector

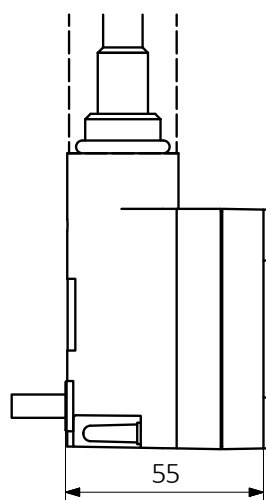
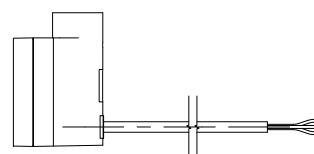
SKT 4



Straight cable with plug



Straight cable without plug; Fil Pilote connection



L [mm]	165	220	260	350	350	465	600	670
Power [w]	100	200	300	400	500	600	800	1000