

SIS



photo: version with a straight cable

SPCS000023B
TERMA
141422206
W200 V230
CE IP67

Functionality:

Functionality

The SIS is a fixed temperature heating device with a self-regulating PTC heating element.

Intelligent Home Systems

The device is suitable for connection to external timers or intelligent home systems.

Safety

High ingress protection IP67. The self-regulating PTC element protects the device and the radiator in case of accidental dry running.

Design

Stainless steel housing.

Specifications:

Power supply: 230 V AC
 Device protection class: Class II
 Radiator connection: G 1/2"
 Ingress protection [IP]: IP67

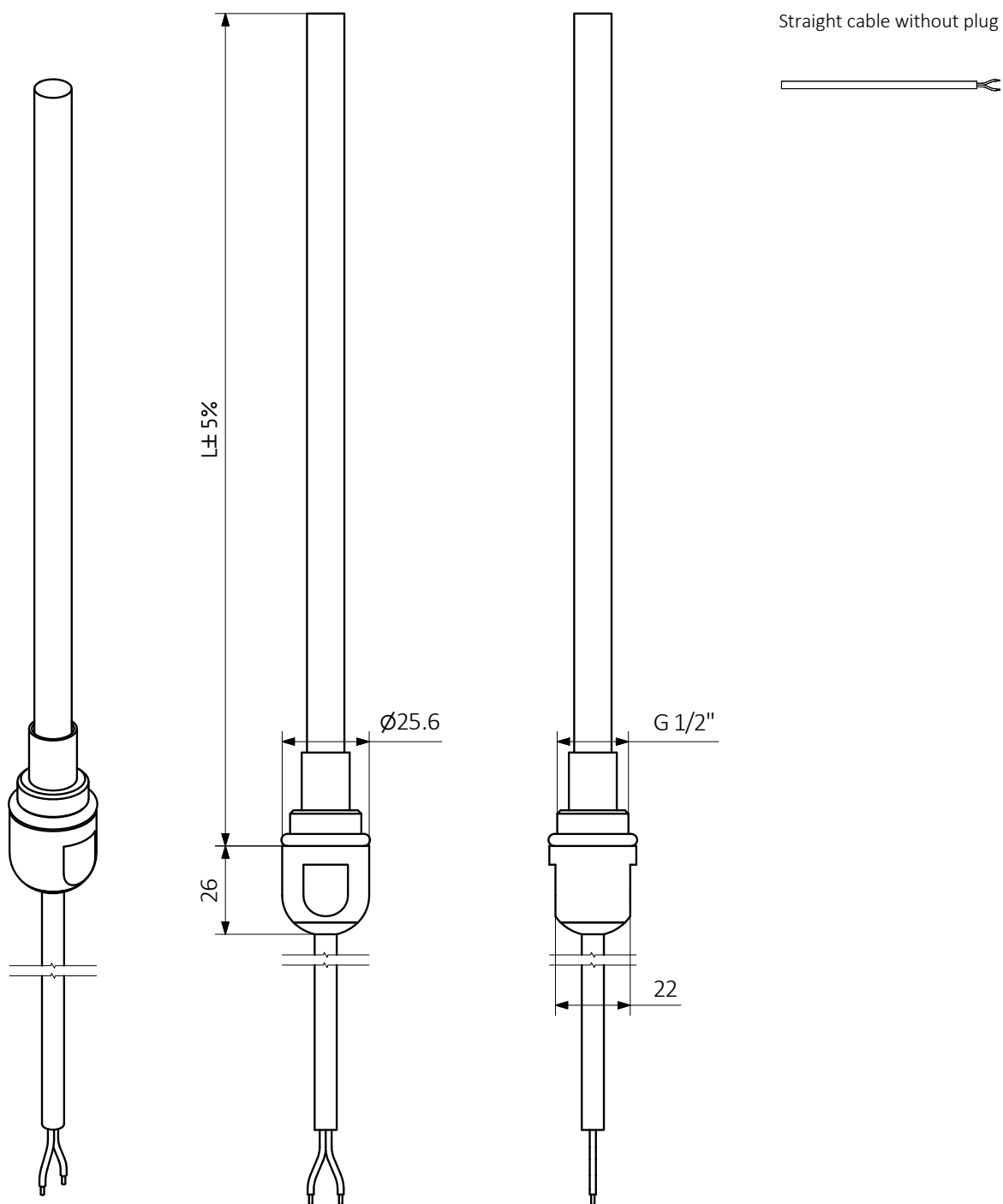
Configurations table:

Example of product code: **WE**SIS**04** **F**IN**X****P**

Element power code
Colour or finish code
Model code Packaging code Cable type and plug code

Code elements highlighted in blue

Model	Power [W]	Packaging	Colour	Cable Type
WE SIS SIS	01 100	F Foil sleeve	INX Stainless steel	P Straight cable without plug
	02 200			
	03 300			
	04 400			
	06 600			
	08 800			
	10 1000			
	12 1200			
	15 1500			



L [mm]	165	220	260	350	465	465	600	670	810	980
Power [w]	100	200	300	400	500	600	800	1000	1200	1500