

# SEC



*photo: version with a straight cable*



## Functionality:

### Functionality

The SEC is a fixed temperature heating device with a self-regulating PTC heating element. The user has the option to change the default heating temperature. The SEC has very low power consumption when in standby mode.

### Timer

The enhanced Timer automatically turns off the heating element after 1, 2, 3, 4 or 5 hours.

### Intelligent Home Systems

In the event of a power failure the heating device remembers the most recent

settings used, which makes it suitable for connection to external timers or intelligent home systems.

### Safety

The heating element offers frost protection (ANTIFREEZE). The device displays warning indicators in the case of malfunction. Self-regulating PTC heating element provides protection in case of accidental dry running.

### Design

The version with a straight cable, without a plug is supplied with a cable masking cover.

### Colour

Available colours: white, silver, chrome and black. The heating element is also offered in any RAL colour and Terma special colours (including brass and gold), subject to a minimum order of 100 pcs per colour.

## Specifications:

Power supply: 230 V / 50 Hz

Device protection class: Class II


Radiator connection: G 1/2"

Ingress protection [IP]: IPx5

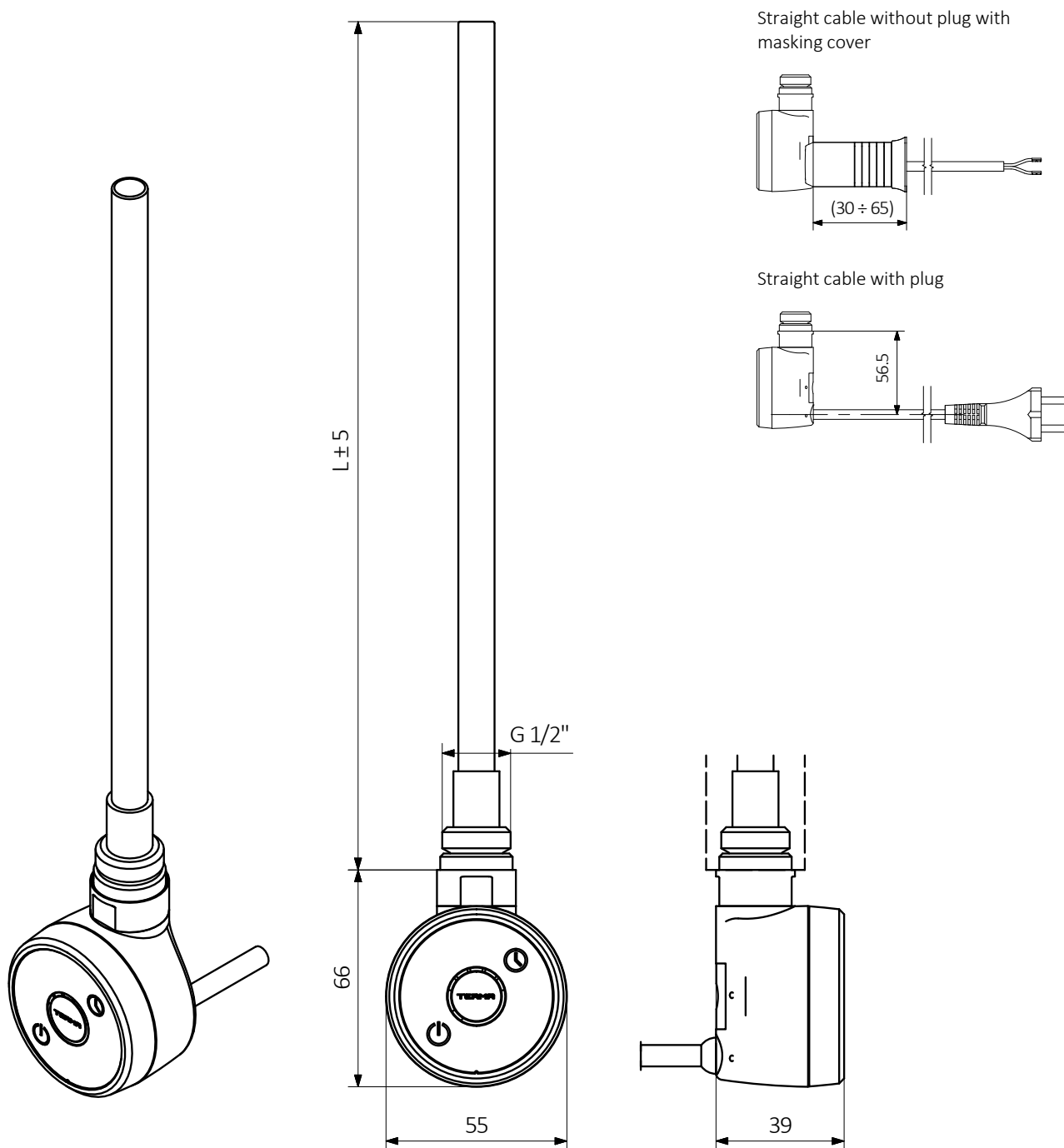
## Configurations table:

Example of product code: **WE**SEC**04** **T**SMA**W**

Code elements highlighted in blue



Model	Power [W]	Packaging	Colour	Cable Type
<b>WE</b> SEC SEC	<b>01</b> 100	<b>F</b> Foil sleeve	<b>916</b> White	<b>W</b> Straight cable with plug
	<b>02</b> 200	<b>T</b> Tube	<b>SMA</b> Silver	<b>M</b> Straight cable without plug with masking cover
	<b>03</b> 300		<b>CRO</b> Chrome	
	<b>04</b> 400		<b>905</b> Black	
	<b>05</b> 500			
	<b>06</b> 600			
	<b>08</b> 800			
	<b>10</b> 1000			
	<b>12</b> 1200			



L [mm]	165	220	260	350	350	465	600	670	670
Power [W]	100	200	300	400	500	600	800	1000	1200